

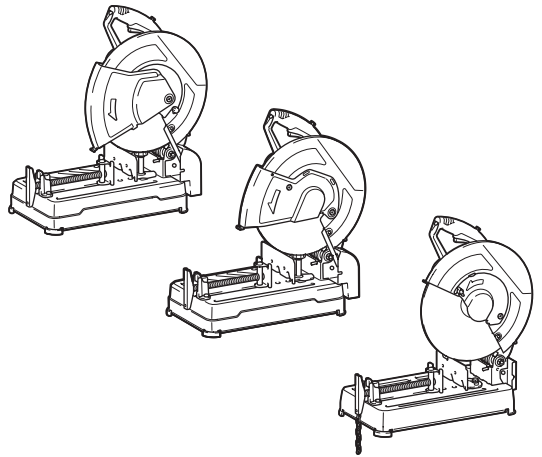
INSTRUCTION MANUAL



Portable Cut-Off

LW1400

LW1401



DOUBLE INSULATION



Read before use.

Created with



nitroPDF[®] professional

download the free trial online at nitropdf.com/professional





SPECIFICATIONS

Model:		LW1400	LW1401
Wheel diameter		355 mm	
Hole diameter		25.4 mm	
No load speed		3,800 min ⁻¹	
Dimensions (L x W x H)	With European type safety guard	530 mm x 295 mm x 640 mm	500 mm x 295 mm x 640 mm
	With safety guard other than European type	530 mm x 290 mm x 640 mm	500 mm x 290 mm x 620 mm
Net weight	With European type safety guard and under cover	18.7 kg	18.3 kg
Safety class		II/III	

- Due to our continuing program of research and development, the specifications herein are subject to change without notice.
- Specifications may differ from country to country.
- Weight according to EPTA-Procedure 01/2003
- The shape and weight vary depending on the specifications which differ country to country.

Symbols

The following show the symbols used for the equipment. Be sure that you understand their meaning before use.

	Wear safety glasses.
	Read instruction manual.
	DOUBLE INSULATION
	Only for EU countries Do not dispose of electric equipment together with household waste material! In observance of the European Directive, on Waste Electric and Electronic Equipment and its implementation in accordance with national law, electric equipment that have reached the end of their life must be collected separately and returned to an environmentally compatible recycling facility.

Intended use

The tool is intended for cutting in ferrous materials with appropriate abrasive cut-off wheel. Follow all laws and regulations regarding dust and work area health and safety in your country.

Power supply

The tool should be connected only to a power supply of the same voltage as indicated on the nameplate, and can only be operated on single-phase AC supply. They are double-insulated and can, therefore, also be used from sockets without earth wire.

For public low-voltage distribution systems of between 220 V and 250 V

Switching operations of electric apparatus cause voltage fluctuations. The operation of this device under unfavorable mains conditions can have adverse effects to the operation of other equipment. With a mains impedance equal or less than 0.18 Ohms it can be presumed that there will be no negative effects. The mains socket used for this device must be protected with a fuse or protective circuit breaker having slow tripping characteristics.

Noise

The typical A-weighted noise level determined according to EN61029:

Model LW1400

Sound pressure level (L_{pA}): 102 dB(A)
Sound power level (L_{WA}): 110 dB (A)
Uncertainty (K): 3 dB(A)

Model LW1401

Sound pressure level (L_{pA}): 102 dB(A)
Sound power level (L_{WA}): 110 dB (A)
Uncertainty (K): 3 dB(A)

⚠ WARNING: Wear ear protection.

Vibration

The vibration total value (tri-axial vector sum) determined according to EN61029:

Model LW1400

Vibration emission (a_h): 2.5 m/s² or less
Uncertainty (K): 1.5 m/s²

Model LW1401

Vibration emission (a_h): 2.5 m/s² or less
Uncertainty (K): 1.5 m/s²

Created with



nitroPDF[®] professional

download the free trial online at nitropdf.com/professional

NOTE: The declared vibration emission value has been measured in accordance with the standard test method and may be used for comparing one tool with another.

NOTE: The declared vibration emission value may also be used in a preliminary assessment of exposure.

⚠WARNING: The vibration emission during actual use of the power tool can differ from the declared emission value depending on the ways in which the tool is used.

⚠WARNING: Be sure to identify safety measures to protect the operator that are based on an estimation of exposure in the actual conditions of use (taking account of all parts of the operating cycle such as the times when the tool is switched off and when it is running idle in addition to the trigger time).

EC Declaration of Conformity

For European countries only

Makita declares that the following Machine(s):

Designation of Machine: Portable Cut-Off

Model No./ Type: LW1400, LW1401

Conforms to the following European Directives:

2006/42/EC

They are manufactured in accordance with the following standard or standardized documents: EN61029

The technical file in accordance with 2006/42/EC is available from:

Makita, Jan-Baptist Vinkstraat 2, 3070, Belgium
21.5.2015



Yasushi Fukaya

Director

Makita, Jan-Baptist Vinkstraat 2, 3070, Belgium

General power tool safety warnings

⚠WARNING: Read all safety warnings and all instructions. Failure to follow the warnings and instructions may result in electric shock, fire and/or serious injury.

Save all warnings and instructions for future reference.

The term "power tool" in the warnings refers to your mains-operated (corded) power tool or battery-operated (cordless) power tool.

Work area safety

1. **Keep work area clean and well lit.** Cluttered or dark areas invite accidents.
2. **Do not operate power tools in explosive atmospheres, such as in the presence of flammable liquids, gases or dust.** Power tools create sparks which may ignite the dust or fumes.
3. **Keep children and bystanders away when operating a power tool.** Distractions can cause you to lose control.

Electrical Safety

1. **Power tool plugs must match the outlet. Never modify the plug in any way. Do not use any adapter plugs with earthed (grounded) power tools.** Unmodified plugs and matching outlets will reduce risk of electric shock.
2. **Avoid body contact with earthed or grounded surfaces such as pipes, radiators, ranges and refrigerators.** There is an increased risk of electric shock if your body is earthed or grounded.
3. **Do not expose power tools to rain or wet conditions.** Water entering a power tool will increase the risk of electric shock.
4. **Do not abuse the cord. Never use the cord for carrying, pulling or unplugging the power tool. Keep cord away from heat, oil, sharp edges or moving parts.** Damaged or entangled cords increase the risk of electric shock.
5. **When operating a power tool outdoors, use an extension cord suitable for outdoor use.** Use of a cord suitable for outdoor use reduces the risk of electric shock.
6. **If operating a power tool in a damp location is unavoidable, use a residual current device (RCD) protected supply.** Use of an RCD reduces the risk of electric shock.
7. **Use of power supply via an RCD with a rated residual current of 30 mA or less is always recommended.**

Personal Safety

1. **Stay alert, watch what you are doing and use common sense when operating a power tool. Do not use a power tool while you are tired or under the influence of drugs, alcohol or medication.** A moment of inattention while operating power tools may result in serious personal injury.
2. **Use personal protective equipment. Always wear eye protection.** Protective equipment such as dust mask, non-skid safety shoes, hard hat, or hearing protection used for appropriate conditions will reduce personal injuries.
3. **Prevent unintentional starting. Ensure the switch is in the off-position before connecting to power source and/or battery pack, picking up or carrying the tool.** Carrying power tools with your finger on the switch or energising power tools that have the switch on invites accidents.
4. **Remove any adjusting key or wrench before turning the power tool on.** A wrench or a key left attached to a rotating part of the power tool may result in personal injury.
5. **Do not overreach. Keep proper footing and balance at all times.** This enables better control of the power tool in unexpected situations.
6. **Dress properly. Do not wear loose clothing or jewellery. Keep your hair, clothing, and gloves away from moving parts.** Loose clothes, jewellery or long hair can be caught in moving parts.
7. **If devices are provided for the connection of dust extraction and collection facilities, ensure these are connected and properly used.** Use of dust collection can reduce dust-related hazards.



nitro

professional

download the free trial online at nitropdf.com/professional

Power tool use and care

1. **Do not force the power tool. Use the correct power tool for your application.** The correct power tool will do the job better and safer at the rate for which it was designed.
2. **Do not use the power tool if the switch does not turn it on and off.** Any power tool that cannot be controlled with the switch is dangerous and must be repaired.
3. **Disconnect the plug from the power source and/or the battery pack from the power tool before making any adjustments, changing accessories, or storing power tools.** Such preventive safety measures reduce the risk of starting the power tool accidentally.
4. **Store idle power tools out of the reach of children and do not allow persons unfamiliar with the power tool or these instructions to operate the power tool.** Power tools are dangerous in the hands of untrained users.
5. **Maintain power tools. Check for misalignment or binding of moving parts, breakage of parts and any other condition that may affect the power tool's operation. If damaged, have the power tool repaired before use.** Many accidents are caused by poorly maintained power tools.
6. **Keep cutting tools sharp and clean.** Properly maintained cutting tools with sharp cutting edges are less likely to bind and are easier to control.
7. **Use the power tool, accessories and tool bits etc. in accordance with these instructions, taking into account the working conditions and the work to be performed.** Use of the power tool for operations different from those intended could result in a hazardous situation.
7. **Keep guards in place and in working order.**
8. **Hold the handle firmly.**
9. **Keep hands away from rotating parts.**
10. **Make sure the wheel is not contacting the work-piece before the switch is turned on.**
11. **Before using the tool on an actual workpiece, let it simply run for several minutes first. Watch for flutter or excessive vibration that might be caused by poor installation or a poorly balanced wheel.**
12. **Watch out for flying sparks when operating. They can cause injury or ignite combustible materials.**
13. **Remove material or debris from the area that might be ignited by sparks. Be sure that others are not in the path of the sparks. Keep a proper, charged fire extinguisher closely available.**
14. **Use the cutting edge of the wheel only. Never use side surface.**
15. **If the wheel stops during the operation, makes an odd noise or begins to vibrate, switch off the tool immediately.**
16. **Always switch off and wait for the wheel to come to a complete stop before removing, securing workpiece, working vise, changing work position, angle or the wheel itself.**
17. **Do not touch the workpiece immediately after operation; it is extremely hot and could burn your skin.**
18. **Store wheels in a dry location only.**
19. **Ensure that ventilation openings are kept clear when working in dusty conditions. If it should become necessary to clear dust, first disconnect the tool from the mains supply (use non metallic objects) and avoid damaging internal parts.**

Service

1. **Have your power tool serviced by a qualified repair person using only identical replacement parts.** This will ensure that the safety of the power tool is maintained.
2. **Follow instruction for lubricating and changing accessories.**
3. **Keep handles dry, clean and free from oil and grease.**

Additional safety rules for tool

1. **Wear protective glasses. Also wear hearing protection during extended periods of operation.**
2. **Use only wheels recommended by the manufacturer which have a maximum operating speed at least as high as "No Load RPM" marked on the tool's nameplate. Use only fiberglass-reinforced cut-off wheels.**
3. **Check the wheel carefully for cracks or damage before operation. Replace cracked or damaged wheel immediately.**
4. **Secure the wheel carefully.**
5. **Use only flanges specified for this tool.**
6. **Be careful not to damage the spindle, flanges (especially the installing surface) or the wheel itself might break.**

SAVE THESE INSTRUCTIONS.

INSTALLATION

WARNING: This tool produces spark when cutting a workpiece. Do not install this tool in the place in which flammable and/or explosive materials might be ignited by the spark from the tool. Also make sure that there is no such material near the tool before starting the operation.

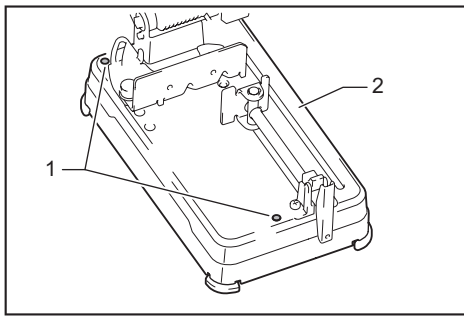
Securing the base

This tool should be bolted with two bolts to a level and stable surface using the bolt holes provided in the tool's base. This will help prevent tipping over and possible personal injury.

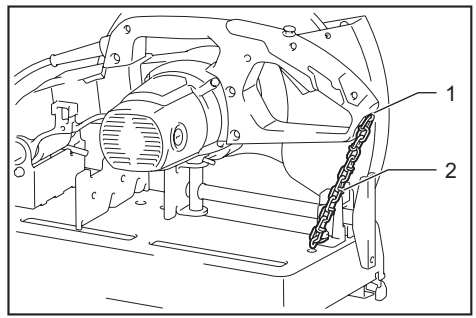


nitroPDF[®] professional

download the free trial online at nitropdf.com/professional



► 1. Bolt holes 2. Base



► 1. Hook 2. Lock chain

FUNCTIONAL DESCRIPTION

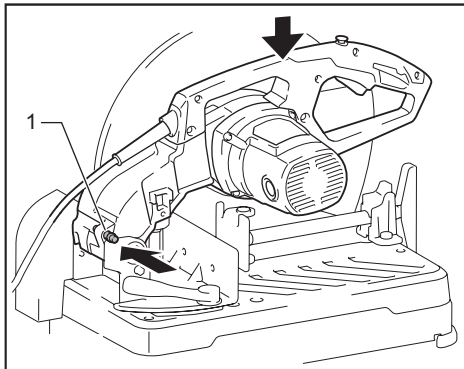
CAUTION: Always be sure that the tool is switched off and unplugged before adjusting or checking function on the tool.

Unlocking/locking tool head

The tool head can be locked. Always lock the tool head when not in use or carrying.

For LW1400

To unlock, depress the tool head slightly and push the lock pin. To lock, return the lock pin while holding down the tool head.



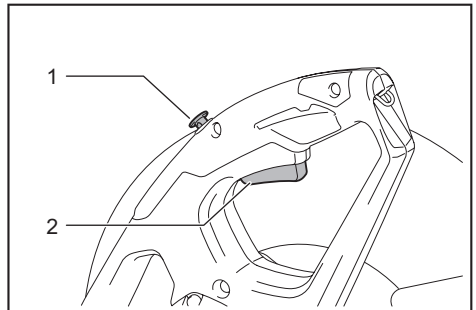
► 1. Lock pin

For LW1401

Unhook the lock chain from the hook. Always hook the lock chain to the hook when not in use.

Switch action

WARNING: Before plugging in the tool, always check to see that the switch trigger actuates properly and returns to the "OFF" position when released.



► 1. Lock button / Lock-off button 2. Switch trigger

For tool with lock button

To start the tool, simply pull the switch trigger. Release the switch trigger to stop. For continuous operation, pull the switch trigger, push in the lock button and then release the switch trigger. To stop the tool from the locked position, pull the trigger fully, then release it.

CAUTION: Switch can be locked in "ON" position for ease of operator comfort during extended use. Apply caution when locking tool in "ON" position and maintain firm grasp on tool.

For tool with lock-off button

To prevent the switch trigger from being accidentally pulled, a lock-off button is provided. To start the tool, press the lock-off button and pull the switch trigger. Release the switch trigger to stop.

Created with



nitroPDF professional

download the free trial online at nitropdf.com/professional

⚠ WARNING: NEVER defeat the lock-off button by taping down or some other means. A switch with a negated lock-off button may result in unintentional operation and serious personal injury.

⚠ WARNING: NEVER use the tool if it runs when you simply pull the switch trigger without pressing the lock-off button. A switch in need of repair may result in unintentional operation and serious personal injury. Return tool to a Makita service center for proper repairs BEFORE further usage.

NOTICE: Do not pull the switch trigger hard without pressing in the lock-off button. This can cause switch breakage.

Interval between vise and guide plate

⚠ CAUTION: After adjusting the interval between the vise and the guide plate, make sure that the guide plate is properly secured. Insufficient fixing may result in personal injury.

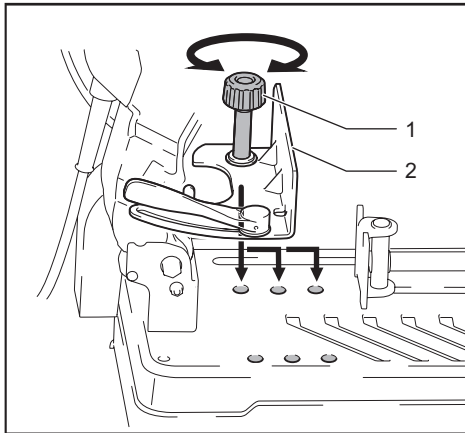
The following interval settings of the vise are available:

- 0 - 170 mm (original setting)
- 35 - 205 mm
- 70 - 240 mm

If your work requires different setting, proceed as follows to change the spacing or interval.

For LW1400

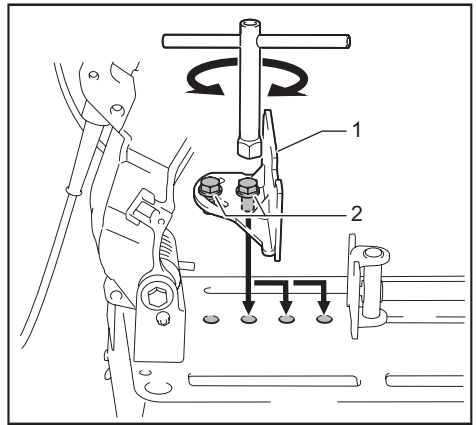
Loosen the screw on the guide plate. Move the guide plate to the desired position then tighten the screw.



► 1. Screw 2. Guide plate

For LW1401

Remove the two hex bolts using a socket wrench. Move the guide plate to the desired position and secure it with the hex bolts.



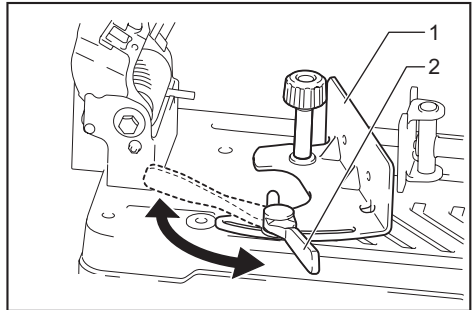
► 1. Guide plate 2. Hex bolts

Cutting angle adjustment

⚠ CAUTION: After adjusting the angle of the guide plate, make sure that the guide plate is properly secured. Insufficient fixing may result in personal injury.

For LW1400

Turn the lever counterclockwise. Move the guide plate to the desired angle and fully tighten the lever.



► 1. Guide plate 2. Lever

For LW1401

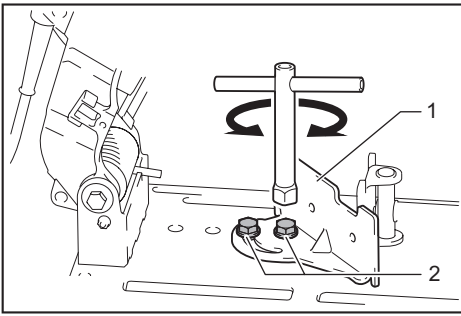
NOTICE: When performing right miter cut, always set the guide plate at 0 - 170 mm position. Setting at the 35 - 205 mm or 70 - 240 mm position hinders the movement of stopper plate, which results in a failure cut.

Loosen the two hex bolts using a socket wrench. Turn the guide plate to the desired angle and secure it with the hex bolts. Be careful not to move the set angle while securing the hex bolts.



nitro PDF professional

download the free trial online at nitropdf.com/professional

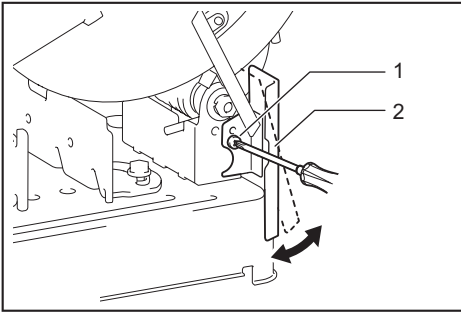


► 1. Guide plate 2. Hex bolts

NOTE: The scale on the guide plate is only a rough indication. For more accurate angle, use a protractor or triangle ruler. Keep the handle down so that the cut-off wheel extends into the base. At the same time, adjust the angle between the guide plate and the cut-off wheel with a protractor or triangle ruler.

Spark guard adjustment

For LW1401 only (country specific)

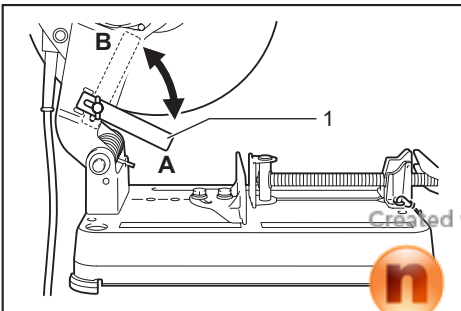


► 1. Screw 2. Spark guard

The spark guard is factory-installed with its lower edge contacting the base. Operating the tool in this position will cause many sparks to fly around. Loosen the screw and adjust the spark guard to a position at which minimum sparks will fly around.

Stopper plate

For LW1401 only (country specific)



► 1. Stopper plate

The stopper plate prevents the cut-off wheel from contacting the workbench or floor. When a new cut-off wheel is installed, set the stopper plate to position (A). When the cut-off wheel wears down to the extent that the lower portion of the workpiece is left uncut, set the stopper plate to position (B) to allow increased cutting capacity with a worn down wheel.

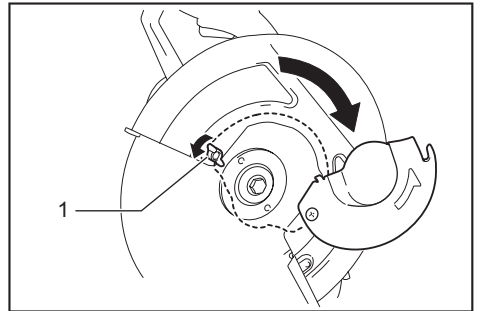
ASSEMBLY

CAUTION: Always be sure that the tool is switched off and unplugged before carrying out any work on the tool.

Opening center cap type safety guard

Country specific

For the tools equipped with center cap type safety guard, loosen the clamping screw first then raise the guard.

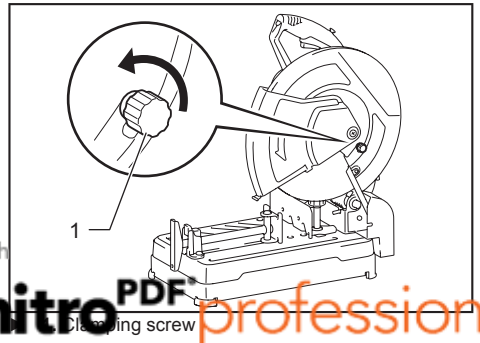


► 1. Clamping screw

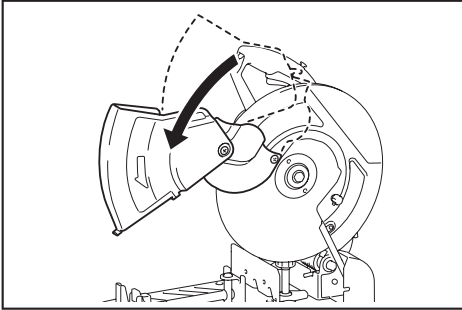
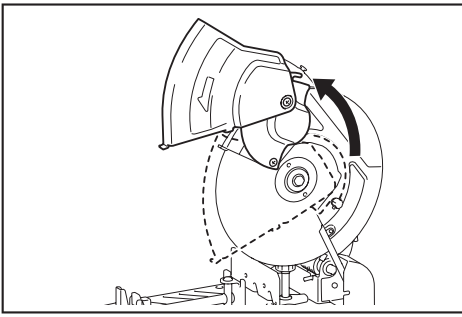
Opening European type safety guard

Country specific

For the tools equipped with European type safety guard, loosen the clamping screw first then open the guard as shown.



► 1. Clamping screw

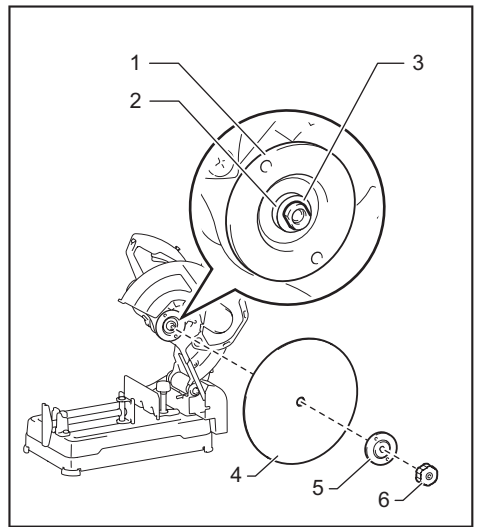


Removing or installing cut-off wheel

CAUTION: Be sure to tighten the toolless clamp or hex bolt securely. Insufficient tightening may result in severe injury. When tightening the hex bolt, use the socket wrench provided with the tool to assure proper tightening.

CAUTION: Always use only the proper inner and outer flanges which are provided with the tool.

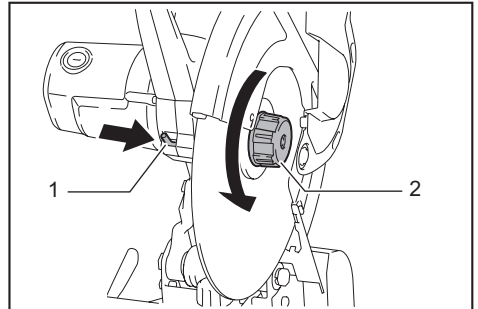
CAUTION: Always lower the safety guard after replacing the wheel.



- 1. Inner flange 2. Ring 3. O-ring 4. Cut-off wheel
- 5. Outer flange 6. Toolless clamp / Hex bolt

For LW1400

Raise the safety guard. Turn the toolless clamp counterclockwise while holding down the shaft lock. Then remove the toolless clamp, outer flange and cut-off wheel. When removing the cut-off wheel, do not remove the inner flange as well as the ring and O-ring.



- 1. Shaft lock 2. Toolless clamp

To install the cut-off wheel, follow the removal procedures in reverse. Make sure to fit the hole of cut-off wheel to the ring and return the safety guard.

For LW1401

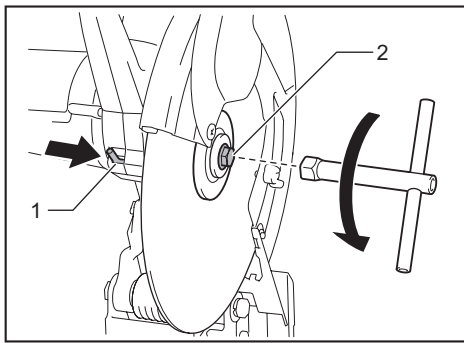
Raise the safety guard. Turn the hex bolt counterclockwise using a socket wrench while holding down the shaft lock. Then remove the hex bolt, outer flange and wheel.

Created with




nitroPDF professional

download the free trial online at nitropdf.com/professional



► 1. Shaft lock 2. Hex bolt

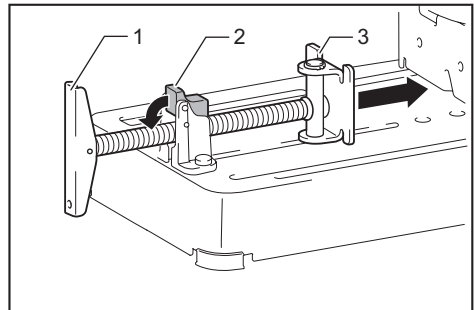
To install the wheel, follow the removal procedures in reverse. Make sure to fit the hole of cut-off wheel to the ring and return the safety guard.

Cutting angle / Workpiece shape	90°	45°
	137 x 137 x 10 mm	100 x 100 x 10 mm

Securing workpiece

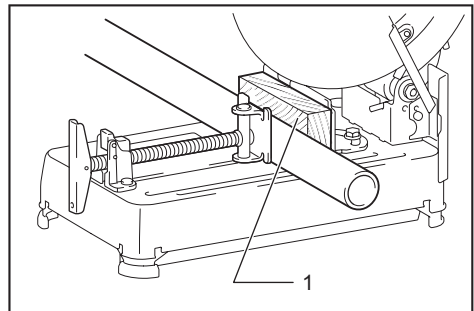
CAUTION: Always place the thread holder on the shaft threads when securing the workpiece. Failure to do so may result in insufficient securing of the workpiece. This could cause the workpiece to be ejected or cause a dangerous breakage of the wheel.

While the thread holder is lifted, the vise plate can be moved in and out quickly. To grip a workpiece, push the handle until the vise plate contacts the workpiece then return the thread holder. Turn the handle clockwise until the workpiece is securely retained.



► 1. Handle 2. Thread holder 3. Vise plate

When the cut-off wheel has worn down considerably, place a spacer block behind the workpiece as shown in the figure. You can more efficiently utilize the worn wheel by using the mid point on the periphery of the wheel to cut the workpiece. Use a sturdy and non-flammable material for a spacer block.



► 1. Spacer block

When cutting workpieces over 85 mm wide at an angle, attach a straight piece of wood (spacer) over 190 mm long x 45 mm wide to the guide plate as shown in the figure. Attach this spacer with screws through the holes in the guide plate. Make sure that the cut-off wheel does not contact the spacer when the tool head is depressed. download the free trial online at nitropdf.com/professional

OPERATION


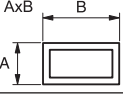
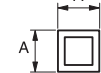
CAUTION: Proper handle pressure during cutting and maximum cutting efficiency can be determined by the amount of sparks that is produced while cutting. Do not force the cut by applying excessive pressure on the handle. Reduced cutting efficiency, premature wheel wear, as well as, possible damage to the tool, cut-off wheel or workpiece may result.

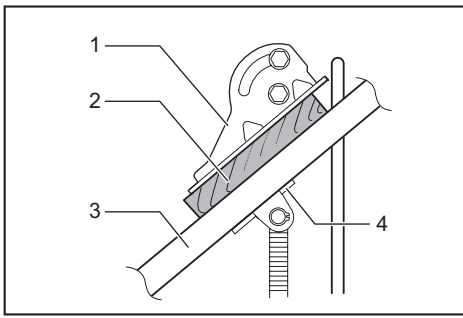
Hold the handle firmly. Switch on the tool and wait until the wheel attains full speed before lowering gently into the cut. When the wheel contacts the workpiece, gradually bear down on the handle to perform the cut. When the cut is completed, switch off the tool and **wait until the wheel has come to a complete stop** before returning the handle to the fully elevated position.

Cutting capacity

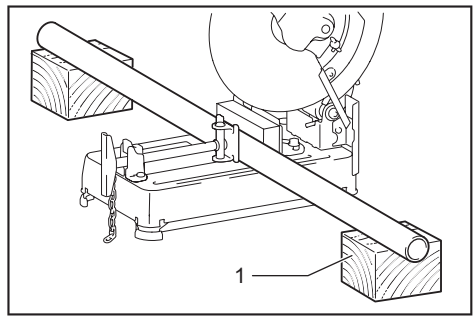
Maximum cutting capacity varies depending on the cutting angle and workpiece shape.

Max. cutting capacity with a brand-new cut-off wheel

Cutting angle / Workpiece shape	90°	45°
	127 mm	127 mm
	115 x 130 mm 102 x 194 mm 70 x 233 mm	115 x 103 mm
	119 x 119 mm	106 x 106 mm



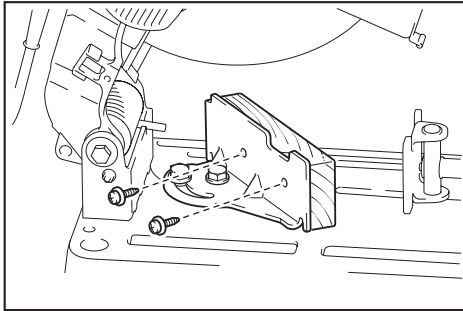
- 1. Guide plate 2. Spacer block (over 190 mm long x45 mm wide) 3. Workpiece (over 85 mm wide) 4. Vise plate



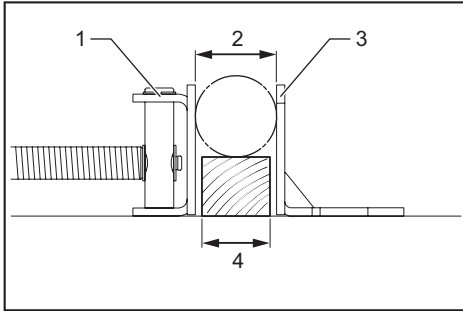
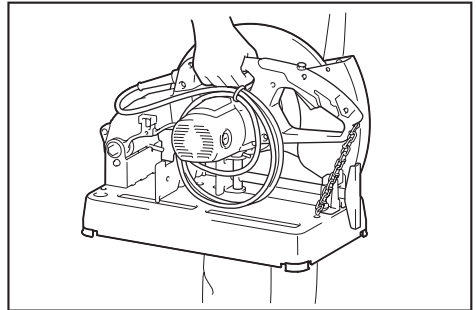
- 1. Supporting block

Carrying tool

Fold down the tool head and lock it. Hold the handle when carrying.



When the cut-off wheel has worn down, raise the cutting position by putting a spacer block which is slightly narrower than the workpiece as shown in the figure. This will help you to utilize the wheel economically.



- 1. Vise plate 2. Workpiece diameter 3. Guide plate 4. Spacer block width

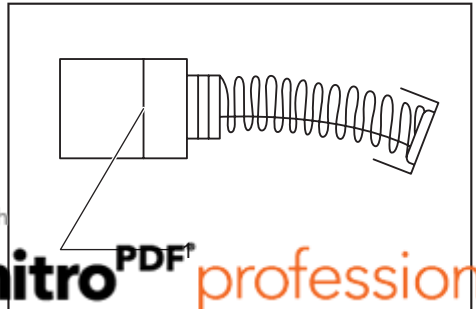
Long workpieces must be supported by blocks on either side so that it will be level with the base top. Use non-flammable material for supporting blocks.

MAINTENANCE

CAUTION: Always be sure that the tool is switched off and unplugged before attempting to perform inspection or maintenance.

NOTICE: Never use gasoline, benzine, thinner, alcohol or the like. Discoloration, deformation or cracks may result.

Replacing carbon brushes



- 1. Limit mark

Created with



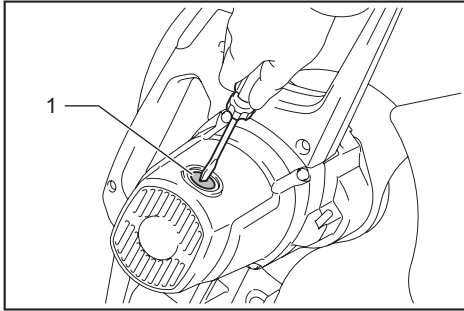
nitro PDF[®]

professional

download the free trial online at nitropdf.com/professional

Check the carbon brushes regularly.
Replace them when they wear down to the limit mark.
Keep the carbon brushes clean and free to slip in the holders. Both carbon brushes should be replaced at the same time. Use only identical carbon brushes.

1. Use a screwdriver to remove the brush holder caps.
2. Take out the worn carbon brushes, insert the new ones and secure the brush holder caps.



► 1. Brush holder cap

OPTIONAL ACCESSORIES

⚠ CAUTION: These accessories or attachments are recommended for use with your Makita tool specified in this manual. The use of any other accessories or attachments might present a risk of injury to persons. Only use accessory or attachment for its stated purpose.

If you need any assistance for more details regarding these accessories, ask your local Makita Service Center.

- Abrasive cut-off wheels
- Socket wrench (for LW1401 only)

NOTE: Some items in the list may be included in the tool package as standard accessories. They may differ from country to country.

Created with

 **nitro**^{PDF} professional

download the free trial online at nitropdf.com/professional

Makita Jan-Baptist Vinkstraat 2, 3070, Belgium

Makita Corporation Anjo, Aichi, Japan



nitroPDF®
www.makita.com

professional

865450-222
EN
20150819

download the free trial online at nitropdf.com/professional