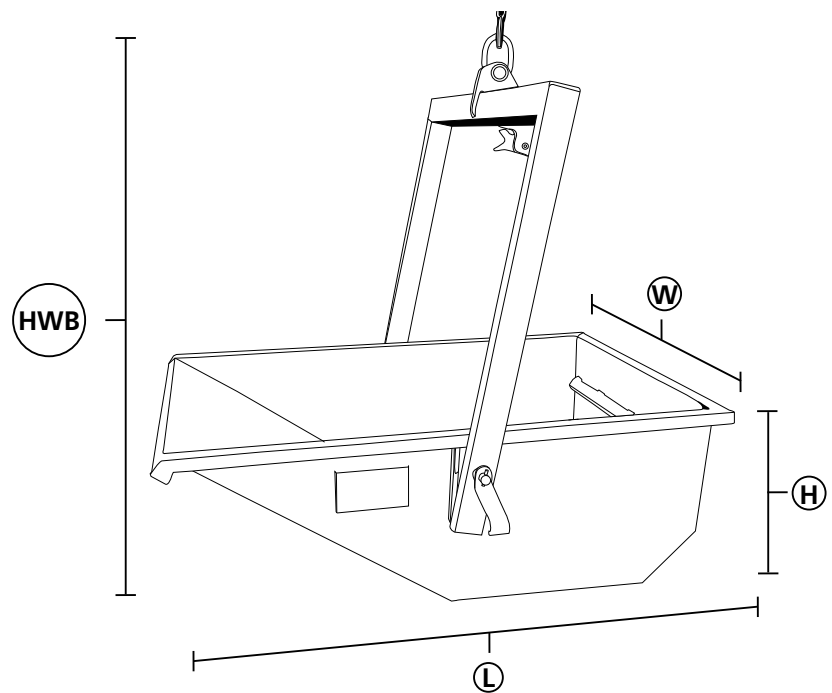


PRODUCT CODE: CA108

PRODUCT DESCRIPTION: Self Discharge Boat Skip



These skips are used for general muck and waste removal. The low loading height and drop down bale arm makes filling very easy. Designed with drop hanger, hook ring and latch for automatic emptying of the skip by the crane operator, without an assistant.

- Eliminates the need for a Banks man to enter the 'danger zone'.
- Will lift and tip part loads, a physical impossibility with traditional, manually operated, circular muck skips.

HWB = Height with bale arm up in the lifting position.
LWB = Length with bale arm down in the resting position.

Cap. Ltrs	H mm	HWB mm	L mm	LWB mm	W mm	WLL. Kg	Weight. Kg
500	540	1350	1420	1590	1320	1000	130
750	650	1590	1660	1810	1380	1500	231
1000	650	1790	1970	2170	1620	2000	250
1500	910	1970	2200	1990	1620	3000	300
2000	910	2280	2240	2520	1810	4000	370

POWERED BY KNOWLEDGE

DISCOVER MORE, VISIT WWW.CQEGROUP.COM OR CALL 0845 520 1101