

## Technical Information

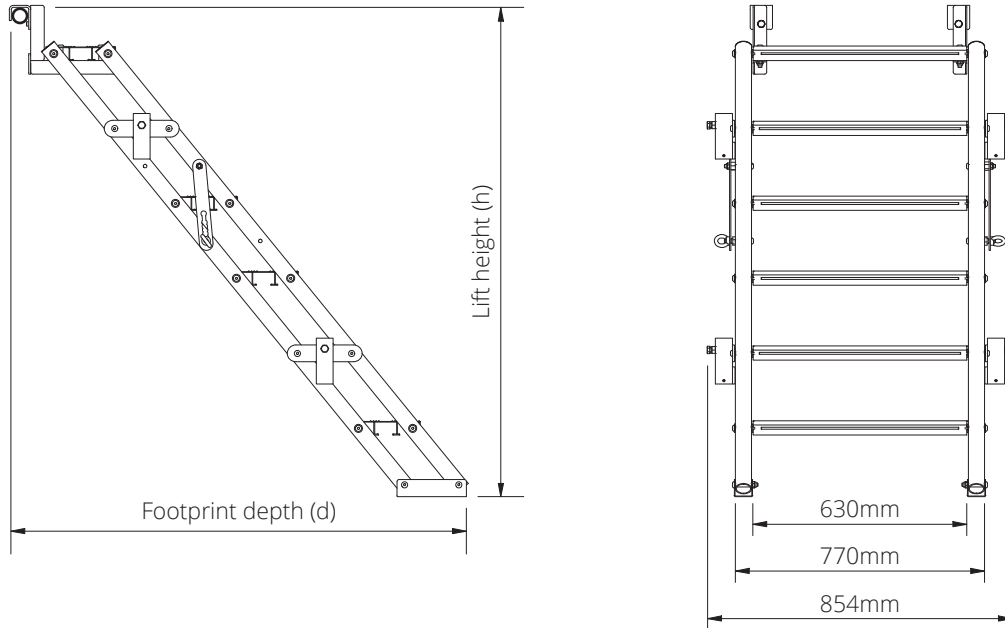
<b>STANDARD</b>	BS EN 12811	
<b>VERSIONS</b>	There are 5 standard versions available: 4 tread (1.0m), 6 tread (1.5m), 9 tread (2.0m), 12 tread (2.5m) & 15 tread (3.0m)	
<b>STAIR ANGLE</b>	Variable from 31.6 ° to 50.8 °	
<b>TREAD WIDTH</b>	630mm clear internal width	
<b>TREAD DEPTH</b>	205mm overall	
<b>TREAD LOADING</b>	200kg UDL	
<b>TREAD MATERIAL</b>	Extruded aluminium slip-resistant planks	
<b>STRINGERS</b>	48mm dia. extruded aluminium tube	
<b>HANDRAILS</b>	Quick-fitting aluminium handrails	
<b>TOP BRACKETS</b>	Scaffold tube connection (standard), Low rise scaffold tube connection, Flat slab connection.	

As standard, Universal Stair units are supplied with handrail sockets and scaffold tube connection brackets that are designed for boards set on top of transverse rails. To give users maximum flexibility, the ALTO Universal Stair Units can also be supplied:

- Without handrail sockets to allow tube and fitting guardrails
- With alternative hooks designed for various board types and slabs

If either of these options is required - please specify at the time of ordering.

**Dimensions**



All units have a clear tread width of 630mm and an overall width of 854mm including handrail sockets. Units without handrail sockets are 770mm wide.

Part Number	Product	Steps	Lift Height (h)		Footprint (d)		Weight
			Min. lift	Max. lift	Min. lift	Max. lift	
US-001-A	1.0m Universal Stair Unit inc. Handrail Sockets	4	732	1001	994	1228	25.5
US-002-A	1.5m Universal Stair Unit inc. Handrail Sockets	6	1030	1493	1713	1354	32.8
US-003-A	2.0m Universal Stair Unit inc. Handrail Sockets	9	1477	2106	2442	1894	43.6
US-004-A	2.5m Universal Stair Unit inc. Handrail Sockets	12	1925	2769	3162	2423	67.8
US-005-A	3.0m Universal Stair Unit inc. Handrail Sockets	15	2372	3431	3899	2976	76.3

Part Number	Product	Steps	Weight
US-101	Universal Stair Handrail Set - 1.0m	4	7.2
US-102	Universal Stair Handrail Set - 1.5m	6	7.8
US-103	Universal Stair Handrail Set - 2.0m	9	9.5
US-104	Universal Stair Handrail Set - 2.5m	12	13.9
US-105	Universal Stair Handrail Set - 3.0m	15	15.7

**Lakeside Industries Ltd**

Unit 19 Howard Road, Park Farm Industrial Estate, Redditch, Worcestershire. B98 7SE  
 +44(0)1527 500577 | sales@altoaccess.com | www.altoaccess.com